

iSC GmbH  
Customer Service  
Eschenstraße 6  
94405 Landau/Isar

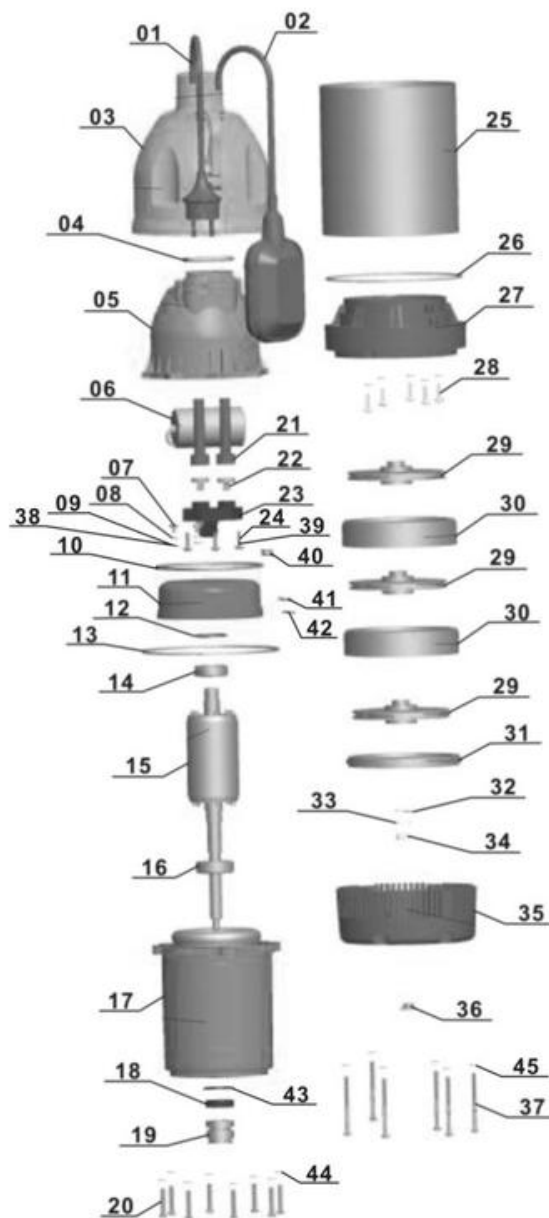
Telephone:  
Email:

+49 9951 959 2019  
service-de@einhell.com



Submersible pressure pump  
GC-PP 900 N

Article number: 4170964  
Ident number: 11039



## Spare parts

Pos	Art.	Ident number	Product Name
	417096403099	00000	color box
001	417096402001	00000	power cord with plug (10m)
002	417096401002	00000	floater switch (Einhell Red)
003	417096401003	00000	pump body (Einhell Red)
004	417096001004	00000	O-seal ring
005	417096001005	00000	top cover
006	417096001006	00000	capacitor
007	417096001007	00000	cross pan screw
008	417096001008	00000	spring washer
009	417096001009	00000	jugged lock washer
010	417096001010	00000	O-seal ring
011	417096001011	00000	upper cover
012	417096001012	00000	wave spring
013	417096001013	00000	seal ring for pump body
014	417096001014	00000	bearing
015	417096001015	00000	rotor
016	417096001016	00000	bearing
017	417096001017	00000	stator
018	417096001018	00000	framework seal
019	417096001019	00000	mechanical seal
020	417096001020	00000	Y self-tapping screw
021	417096001021	00000	cable sheath
022	417096001022	00000	cable clamp
023	417096001023	00000	capacitor holder
024	417096001024	00000	cross pan self-tapping screw
025	417096401025	00000	pump canister
026	417096001026	00000	seal ring
027	417096001027	00000	water outlet cover
028	417096001028	00000	cross pan screw
029	417096001029	00000	impeller
030	417096001030	00000	diffuser
031	417096001031	00000	pump cover
032	417096001032	00000	flat washer
033	417096001033	00000	spring washer
034	417096001034	00000	hex nut
035	417096002035	00000	base plate with filter net
036	417096001036	00000	plug
037	417096001037	00000	cross pan self-tapping screw
038	417096001038	00000	cold compacting
039	417096001039	00000	flat washer 4
040	417096001040	00000	cable hold
041	417096001041	00000	terminal (small)
042	417096001042	00000	terminal (big)
043	417096001043	00000	adjust washer
044	417096001044	00000	flat washer 4x8x0.8
045	417096001045	00000	spring washer 4